

# SOSPENSIONI IDRAULICHE

## HYDRAULIC SUSPENSIONS / HYDRAULISCHE AUFHÄNGUNG

AXLES & STUBAXLES

### SOSPENSIONE IDRAULICA "HYDRO ADVANCED"

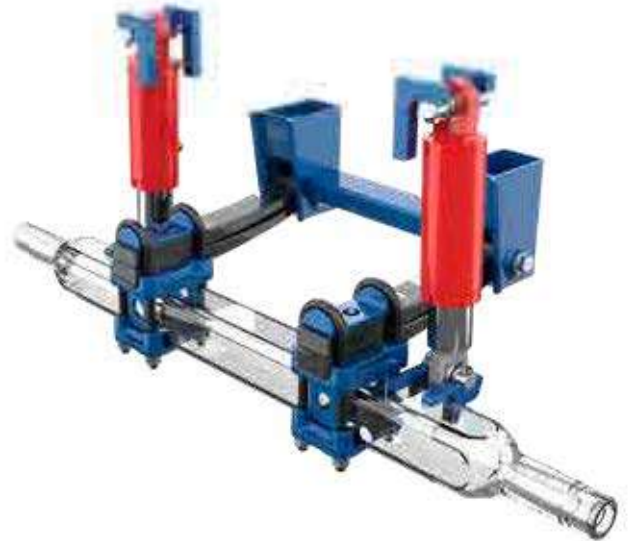
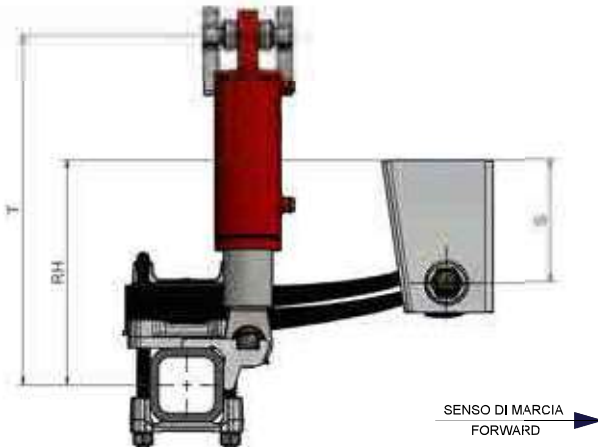
HYDRAULIC SUSPENSION "HYDRO ADVANCED"  
HYDRAULISCHE AUFHÄNGUNG "HYDRO ADVANCED"

type **GM - KM**

GM - sospensione montata / assembled suspension / Montierte Federung

KM - kit sospensione / suspension kit / Kit für Federung

**HYDRO  
ADVANCED**



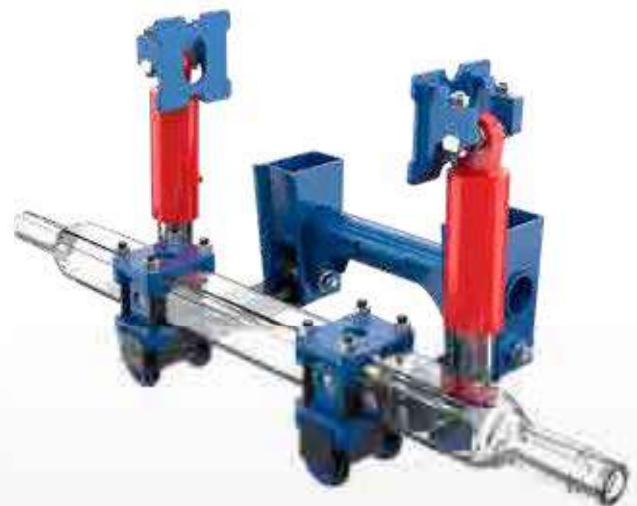
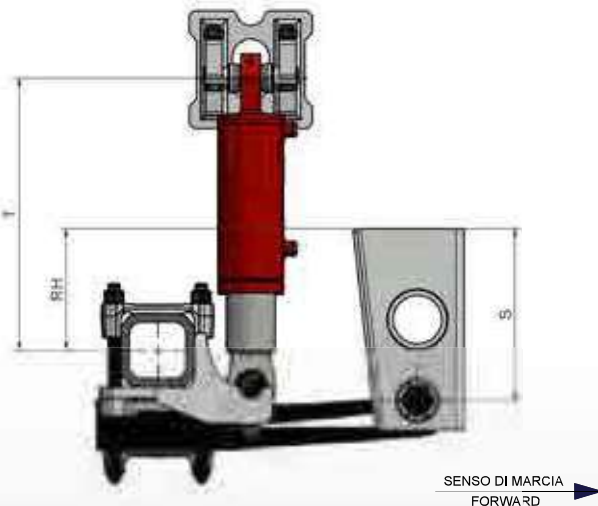
TEKNOAX

FITTINGS

### STANDARD

PORTATA Capacity Achslast	ASSE Axle Achse	CILINDRI Cylinders Zylinder	S	RH (MIN. / MAX.)	T	CODICE Code Bestellnr.
kg	mm	Ø mm	mm	mm	mm	
15 000	150	Ø120 - Ø100	200	408 (275 - 536)	715	GM..L.. KM..L..
			250	458 (325 - 586)		
			300	508 (375 - 636)		

BOGGIES



SUSPENSIONS "K"

HYDRAULIC SUSP.

### RIBASSATO / UNDERSLUNG / TIEFLADER

PORTATA Capacity Achslast	ASSE Axle Achse	CILINDRI Cylinders Zylinder	S	RH (MIN. / MAX.)	T	CODICE Code Bestellnr.
kg	mm	Ø mm	mm	mm	mm	
15 000	150	Ø120 - Ø100	350	248 (93 - 406)	555	GM..T.. KM..T..
			400	298 (143 - 456)		
			450	348 (193 - 506)		

AIR SUSPENSIONS